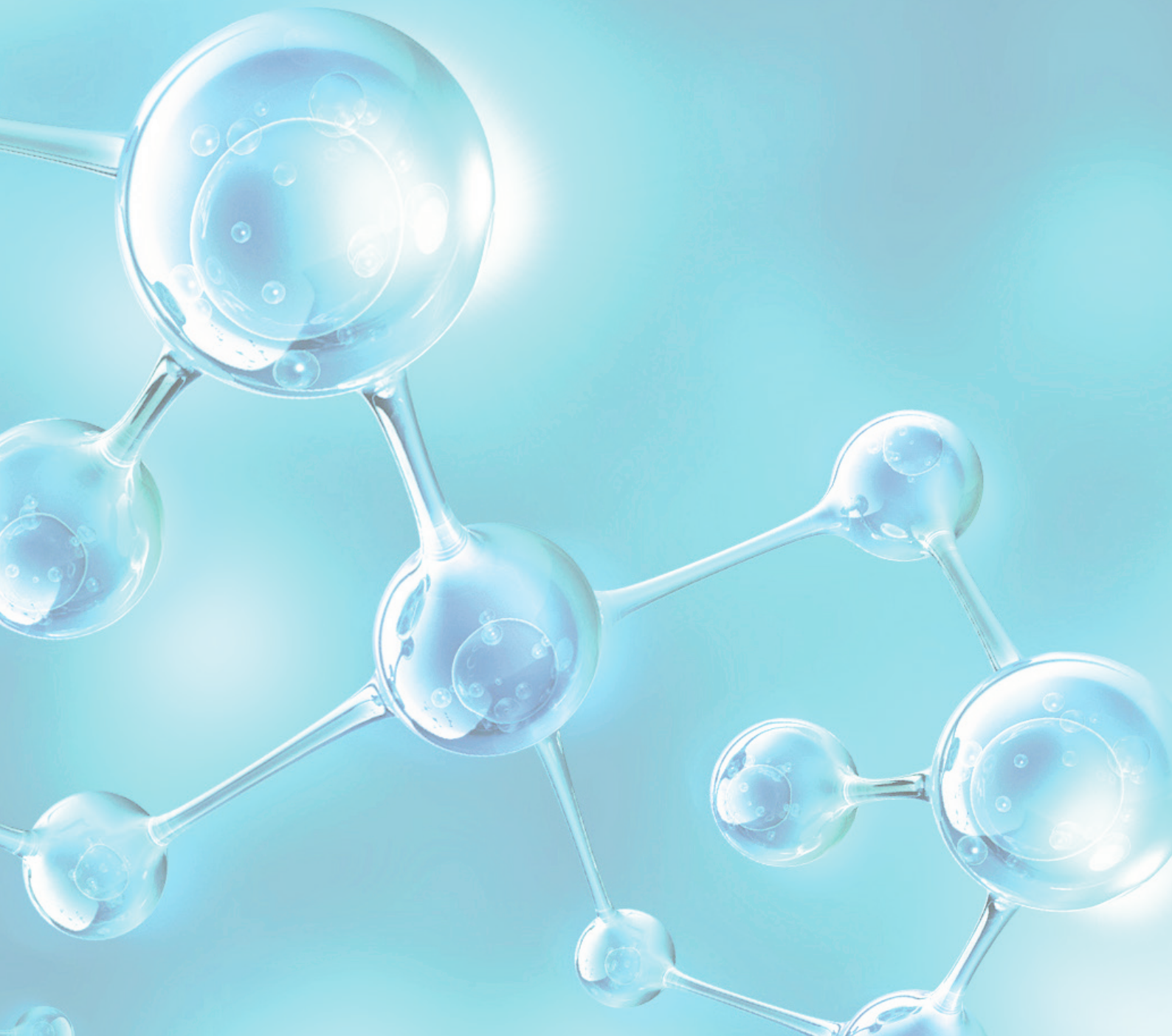




Resins
Sustainability Solutions



POLYNT COMPOSITES

Global leader for thermoset composites



Contents

1. Polynt Reichhold Group.....	3
2. Introduction to Sustainability.....	3
3. Polynt sustainability initiatives and commitment.....	7
4. Polynt sustainable technologies.....	9

Polynt Reichhold Group

After the merger on May 2017 the new Polynt-Reichhold Group is a global Company in the Intermediates, Coating and Composite Resins, Thermoset Compounds, Gel-coats and niche Specialties.

This combination enhances the Group's leading position as a global vertically integrated specialty chemicals player, with significant global presence in Europe, North America and Asia, a strategy initiated by Polynt with the successful integration of PCCR and CCP in the last years and now further reinforced by Reichhold's global scale, extensive product portfolio and R&D competencies.

Polynt-Reichhold Group is known for its superior quality and impressive range of products and with its excellent distribution network it can provide first-class service to customers whatever their market. Customer Service and Technical Service teams are renowned for their customer focus, offering the best service even after products have left manufacturing.

The Group strives to keep customers satisfied, assisting them in producing premium quality products every time they use its products.

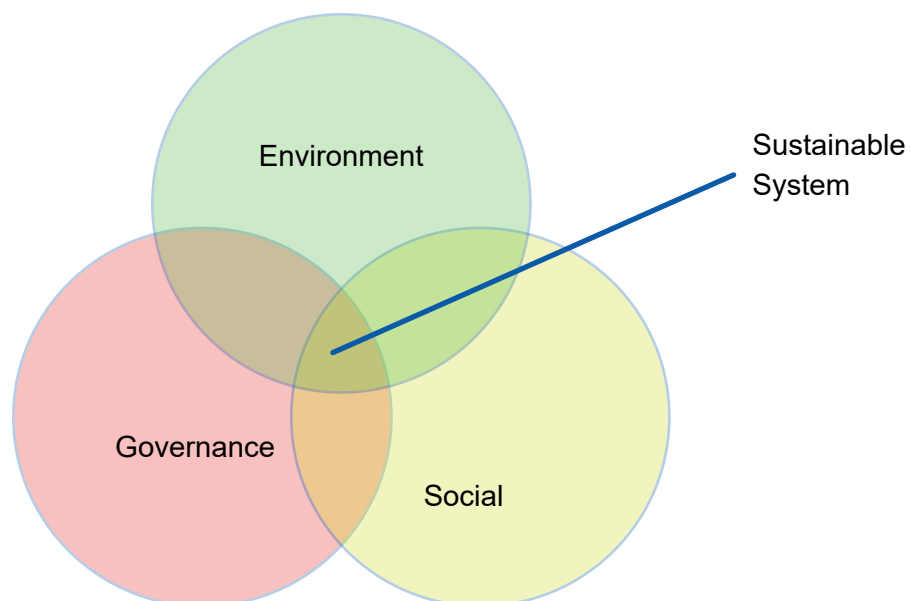
Product innovation is important for the Group's business and it's the reason for which it constantly works with customers to find solutions to problems.

Introducing new or improved products ensures that Polynt-Reichhold Group continue not only to deliver what the market wants and needs, but also when it is wanted and needed.

Introduction to Sustainability

A widely accepted definition of Sustainability is to «meet the needs of the present without compromising the ability of future generations to meet their own needs» (Brundtland Commission, 1987).

Sustainable products are those that provide environmental, social and governance (E.S.G.) benefits over their whole life cycle, from the extraction of raw materials until the final disposal.



Sustainability and sustainable development have become part of daily language so that Business and Sustainability are two inseparable concepts in any sector of activity.

In 2015 the United Nations signed the "17 sustainable development goals", aiming at both environment protection and people health and welfare enhancement.



SUSTAINABLE DEVELOPMENT GOALS



The Chemical industry proactively contributes, directly or indirectly, to the achievement of the “sustainable development goals” and in particular:



Ensure access to affordable, reliable, sustainable and modern energy for all.



Ensure sustainable consumption and production patterns.



Take urgent action to combat climate change and its impacts.

Development of environmentally friendly, high performance materials and manufacturing process improvements are currently the most significant challenges in chemical sector as witnessed by Cefic (European Chemical Industry Council) 2017 Sustainability Report:

Cefic sustainability report

Chemistry creates and inspires solutions and innovation for a sustainable future.

The chemical industry has an important part to play in maintaining our growth and prosperity, and in our transition to a sustainable society.

We are committed to this role. Chemistry CAN.

Life Cycle Assessment (LCA)

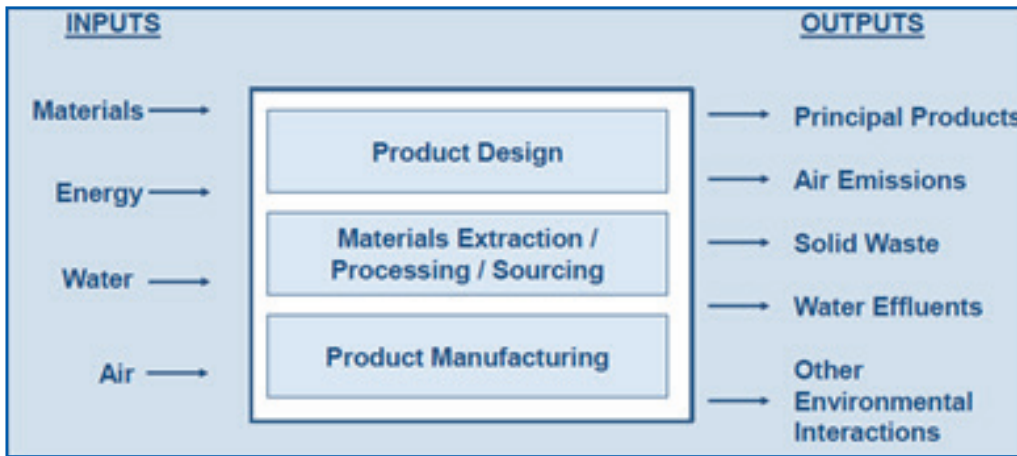
Each raw material has its own eco-footprint. By optimizing the composition of the resin the overall environmental footprint (and thus Composites material) can be greatly improved. Life Cycle Assessment (LCA) is a methodology used to measure the environmental impact of a product (or a system) over a life cycle. It measures the environmental impacts from the extraction of raw materials, through processing, manufacture, refurbishment to eventual end of life and disposal.

A life-cycle

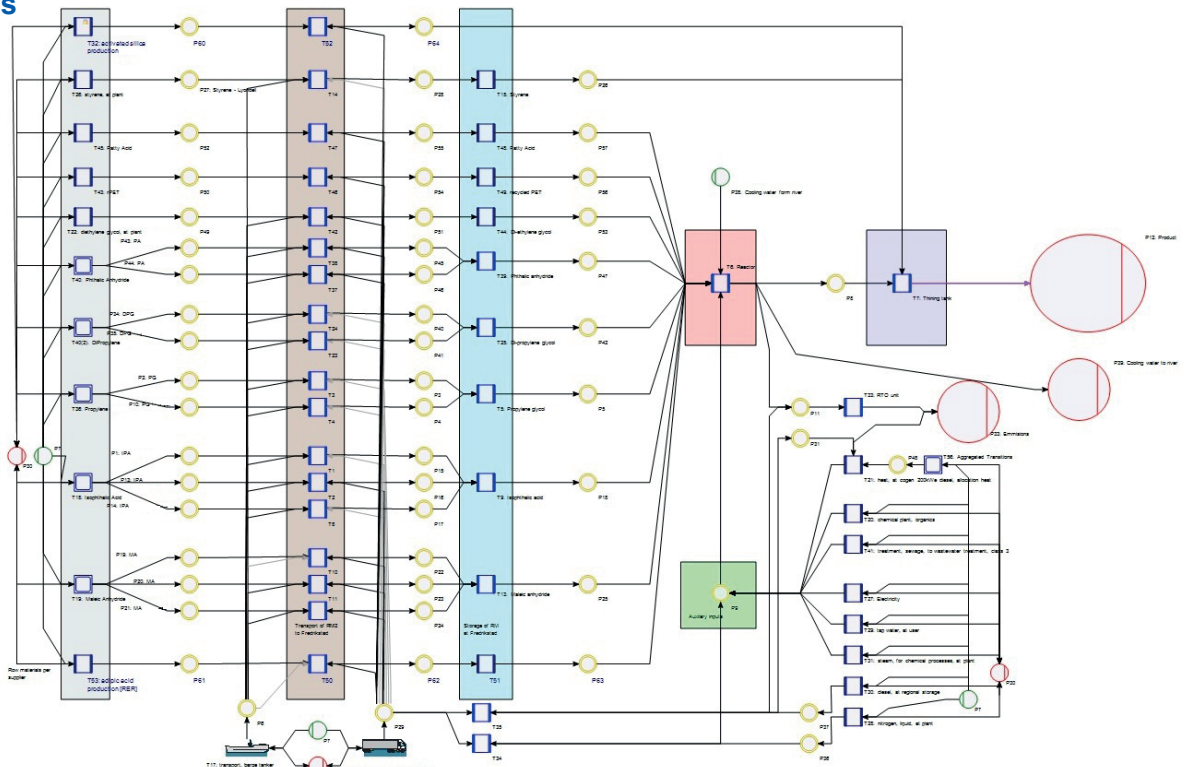
All products have an impact on the environment. This impact can occur at any time during the manufacture, use of the product or at end of life. These different stages are called collectively a life-cycle.

Cradle-to-gate LCA

Cradle-to-gate is an assessment of a partial product life cycle from resource extraction (cradle) to the factory gate (i.e., before it is transported to the consumer).



LCA Process



LCA Phases

Polynt actively collaborates with customers to carry-out cradle to end-life LCA assessments.



Polynt sustainability initiatives and commitment

Polynt is actively engaged with sustainable development and operates internal management systems that prioritize Safety, Quality and Efficiency which encompass a commitment to environmental, social and economic health, the "triple bottom line".

Polynt is committed to:

- Continuously improve the environmental, health, safety and security knowledge and performance of our technologies, processes and products over their life cycles so as to avoid harm to people and the environment
- Use resources efficiently and minimize waste
- Report openly on performance, achievements and shortcomings
- Listen, engage and work with people to understand and address their concerns and expectations
- Cooperate with governments and organizations in the development and implementation of effective regulations and standards, and to meet or go beyond them
- Provide help and advice to foster the responsible management of chemicals by all those who manage and use them along the product chain.

As of 2003, Polynt adopted an environment management system certified according to ISO 14001 norm. Such certification has been gradually upgraded and most Polynt sites are now certified according to ISO 14001:2015, as it can be seen in the following page.

Certification ISO 14001 / UNI EN ISO 14001:2015 - San Giovanni Valdarno

This is a translation of certificate N. IT04/0613

The environmental management system of

POLYNT S.p.A.

Via del Pruneto, 40 - 52027 San Giovanni Valdarno (AR) - Italy

has been assessed and certified as meeting the requirements of

ISO 14001 / UNI EN ISO 14001:2015

For the following activities

Production of: unsaturated polyester resins and vinyl ester resins by polymerisation of organic acids and glycols; monomeric and polymeric plasticizers by esterification of organic acids and alcohols; phthalic anhydride by catalic oxidation of ortho-xylene.

This certificate is valid from 16/07/2018 until 29/05/2021 and remains valid subject to satisfactory surveillance audits.

Re certification audit due before 29/05/2021.

Issue 9. Certified since 29/05/2003.

The audit leading to this certificate commenced on 21/05/2018.

Previous issue certificate validity date was until 29/05/2018.

Authorized by
Paola Santarelli



SGS ITALIA S.p.A.

Via Caldera, 21 20153 MILANO - Italy

t + 39 02 73 93 1 f +39 02 70 10 94 89 www.sgs.com

Page 1 of 1



ACCREDIA
LENITE ITALIANO DI ACCREDITAMENTO

SGA N° 0007 D

Membro di MLA EA per gli schemi di accreditamento SQG, SGA, PRD, PRS, ISP, GHG, LAB, LAT e PTP, di MLA IAF per gli schemi di accreditamento SQG, SGA, SSI, FSM, PRD e PRS e di MRA ILAC per gli schemi di accreditamento LAB, MED, LAT e ISP

Signatory of EA MLA for the accreditation schemes QMS, EMS, PRD, PRS, INSP, GHG, TL, CL and PTP, of IAF MLA for the accreditation schemes QMS, EMS, ISMS, FSMS, PRD and PRS and of ILAC MRA for the accreditation schemes TL, ML, CL and INSP



This document is issued by the Company subject to its General Conditions of Certification Services accessible at www.sgs.com/terms_and_conditions.htm. Attention is drawn to the limitations of liability, indemnification and jurisdictional issues established therein. The authenticity of this document may be verified at <http://www.sgs.com/en/certified-clients-and-products/certified-client-directory>. Any unauthorized alteration, forgery or falsification of the content or appearance of this document is unlawful and offenders may be prosecuted to the fullest extent of the law.

Certification ISO 14001 / UNI EN ISO 14001:2015 - Drocourt



Certificat

Certificate

N° 2001/16471.12

AFNOR Certification certifie que le système de management mis en place par :
AFNOR Certification certifies that the management system implemented by:

POLYNT COMPOSITES FRANCE

pour les activités suivantes :
for the following activities:

**CONCEPTION, DEVELOPPEMENT, FABRICATION, EXPEDITION
ET LIVRAISON DE RESINES POLYESTER ET VINYL ESTER, DE GEL COATS,
DE COLLES, DE RESINES EPOXY ET AGENTS NETTOYANTS.
FABRICATION, EXPEDITION ET LIVRAISON D'ADDITIFS
POUR REVETEMENTS, ADHESIFS ET MASTICS.**

**DESIGN, DEVELOPMENT, MANUFACTURING, SHIPPING AND DELIVERY
OF POLYESTER AND VINYL ESTER RESINS, GEL COATS, BONDING PASTES,
EPOXY RESINS AND CLEANING AGENTS. MANUFACTURING, SHIPPING
AND DELIVERY OF COATING ADDITIVES, ADHESIVES AND SEALANTS.**

a été évalué et jugé conforme aux exigences requises par :
has been assessed and found to meet the requirements of:

ISO 14001 : 2015

et est déployé sur les sites suivants :
and is developed on the following locations:

Route d'Arras CS 50019 FR-62320 DROCOURT

Ce certificat est valable à compter du (année/mois/jour)
This certificate is valid from (year/month/day)

2017-02-14

Jusqu'au
Until

2019-02-25

Ce document est signé électroniquement. Il constitue un original électronique à valeur probatoire.
This document is electronically signed. It stands for an electronic original with probatory value.

Franck LEBEUGLE
Directeur Général d'AFNOR Certification
Managing Director of AFNOR Certification

Seul le certificat électronique, consultable sur www.afnor.org, fait foi en temps réel de la certification de l'organisme. The electronic certificate only, available at www.afnor.org, attests in real-time that the company is certified. Accreditation COFRAC n°4-0001, Certification de Systèmes de Management. Portée disponible sur www.cofrac.fr.
COFRAC accreditation n°4-0001, Management Systems Certification. Scope available on www.cofrac.fr.
AFAQ est une marque déposée. AFAQ is a registered trademark - CERTIF 0956.7/11-2014



*Flashez ce QR Code
pour vérifier la validité
du certificat*

Some sites (for example San Giovanni Valdarno) are also certified according to EMAS, "Eco-Management and Audit Scheme (EMAS). EMAS is part of voluntary tools included in the V European Program to protect the environment Polynt decided to agree to.

Certificato di Registrazione *Registration Certificate*



Polynt S.p.A.

*Sito di
Via del Pruneto, 40
52027 San Giovanni Valdarno (AR)*

N. Registrazione: **IT-000033**
Registration Number

Data di registrazione: **04 luglio 2000**
Registration date

Continuous Process improvement is targeted by a Team of more than 100 researchers focused on the following objectives:

- CO / CO₂ emission reduction through proprietary catalyst technology improvement.
- Recovery and recycle of energy self-produced by converting heat into energy leading to energy consumption reduction.
- Recovery and re-use of by-products in order to minimize and sometimes completely eliminate waste.
- Whenever possible utilize non-dangerous raw materials at equal performing end-use products.



Polynt sustainable technologies

Polynt has all the knowledge, resources and capabilities to help customers to develop more sustainable products utilizing the below technologies:

- Lower emission
 - Low styrene content
 - Low styrene emission
 - Styrene-free solutions
 - UV curing
- Cobalt-free
- Use of bio-based raw materials
- Use of recyclable materials
- LCA (Life Cycle Analysis) capabilities
- Through GMP-compliant materials and plants

Polynt efforts have been recognized with the “Product Stewardship” Award by Federchimica for the category “Large Enterprises” in 2013. These research avenues continue with high focus in all Polynt R&D Centers all over the world enriched by technologies acquired in the most recent years. Tailored-made, more sustainable products have been developed for a large variety of market applications (Wind Energy, Marine, Building & Construction, Transportation).

Low density Composites and higher performing plasticizers aiming at vehicle weight reduction leading to lower energy consumption and CO / CO₂ emission reduction are just an example.

Polynt undertakes LCA studies and carefully examines the cradle-to-gate impact of its raw materials and processes.


This makes it possible to compare the environmental impact of specific raw materials and production processes, identifying areas requiring improvements and selecting the most environmentally friendly scenarios for product manufacturing. Polynt strives to develop with LCA in focus to ensure that all new product developments have lower environmental impacts.

REACH (Registration, Evaluation, Authorization and Restriction of Chemicals) regulation in force as of June 01, 2007 plays a fundamental role in managing chemical products in Europe.

The registration process of chemical substances and of no-longer polymers, which began in 2007 and ended in 2018, enabled a structured data base collection of toxicological and eco-toxicological properties of the registered chemicals.

In the last ten years, ECHA (European Chemical Agency) has been working in close contact with companies in order to identify risk hazards of chemical substances and best working practices to protect human being and environment.

Polynt has registered around 100 substances, has been an active member of several consortia and has cooperated with the entire Supply Chain in order to get its product range compliant with the current legislation.



Each chemical product, since the very beginning of its production through its utilization till the end of its life cycle and disposal, must be managed in a safe and responsible manner in order to mitigate or prevent any possible adverse impact on human health and environment.

Cefic and ECHA are currently collaborating to make sure that safe use of each substance is properly communicated through the whole Supply Chain.

Polynt Product Stewardship, Chemical Management e REACH experts are available to inform and support customers about correct and safe use of its products (Material Safety Data Sheet, Exposure Scenario reading and interpretation), specific REACH norms (CE Legislation n. 1907/2006 and following edits) and CLP (Legislation on Classification, Labeling and Packaging CE n. 1272/2008 and following edits).

This brochure is intended to provide a comprehensive list of the products and services available from all business sectors in which are active the companies and/or corporations controlled, directly or indirectly, by Specialty Chemicals International Ltd (hereinafter referred to as «Polynt Group»). The information, recommendations, answers and/or opinions contained herein (which must be intended only for explanatory purposes) are aimed to assist customers on the basis of our technical and scientific knowledge as of today, taking into account that our products are intended for sale to industrial and commercial customers. However we require customers to inspect and test our products before use and to satisfy themselves as to contents and suitability for their applications: nothing herein shall constitute or shall be deemed to be any other warranty or a representation, express or implied, including merchantability or fitness for a particular purpose or results to be obtained from the use of such information, nor shall be taken or construed as infringing of any existing patents. Product names in capital letters are registered trademarks of the relevant member of Polynt Reichhold Group. © Polynt S.p.A. - December 2021



Polynt Composites USA Inc.

99 East Cottage Avenue
Carpentersville, IL 60110
United States
Phone: +1 800 322 8103
email: contact.US@polynt.com
www.polynt.com

Polynt S.p.A.

Via Enrico Fermi, 51
24020 Scanzorosciate (BG)
Italy
Phone: +39 035 652 111
email: contact.IT@polynt.com
www.polynt.com

